

# Information

Photonics is a key technology of the twenty-first century. Almost no area of life today can operate without optical technologies. In addition to the known areas such as data and communication technology, photonics has become indispensable in many more areas. New applications appear on a daily basis. With an increasing number of applications, requirements with regard to productivity and quality increase as well.

Traditional optical coating processes have been refined in the past 80 years and have now reached their maximal capacity. In order to meet the ever increasing needs, new coating processes with continuative potentials become necessary.

Magnetron sputtering closes the gap between the traditional ion-assisted vapor deposition and ion beam sputtering. It combines the advantages of both technologies. Very dense layers with low absorption and scattering as well as high stability against environmental influences can be created this way. Magnetron sputtering processes show high retention rates and have an excellent process stability and process reproducibility.

New plant concepts with high batch capacity and high reproducibility achieve production costs that are comparable with ion-assisted vapor deposition plants. Therefore, it is expected that applications in the middle to lower segment of precision optics that operate with magnetron sputtering can be produced economically.

## [ How to get there ]

### Address:

**Quality Hotel Dresden West, Zschoner Ring 6  
01723 Kesselsdorf**



[Google Maps](#)

## [ Organisation ]

### PhotonicNet GmbH

Dr.-Ing. Thomas Fahlbusch  
Tel.: 0511 / 277-1640  
fahlbusch@photonetnet.de

## [ In cooperation with ]

### SOLAYER GmbH

Andreas Rack  
Tel.: 06188 5030012  
Andreas.Rack@Solayer.com

# Photonic-Net

Innovationsnetz Optische Technologien

IN COOPERATION WITH

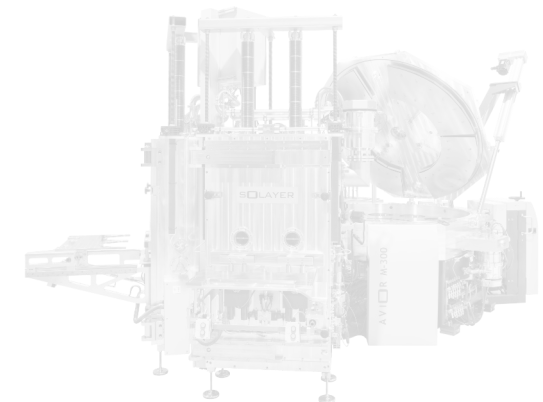
**SOLAYER**



**OPTICS SYMPOSIUM**

**NOVEL COATING  
TECHNOLOGIES FOR  
PRECISION OPTICS IN THE  
NANO ERA**

[ Dresden, November 28, 2018 ]



### [ Schedule ]

**Welcome** 10:00  
 Andreas Rack  
 SOLAYER GmbH, Dresden, Germany

**Monochrome Optical Monitoring** 10:10  
 Dr. Simon Hicks  
 Intellemetrics Global Ltd, Paisley, UK

**High Density Plasma Technology for Optical Coatings** 10:40  
 Joseph Kim  
 TecPort Optics, Orlando, Florida, USA

**Coffee break** 11:10

**Magnetron sputtering - Introduction and Recent Development** 11:40  
 Prof. Dr. Günter Bräuer  
 Fraunhofer Institute for Surface Engineering and Thin Films IST / INPLAS e.V., Braunschweig, Germany

**Production of Demanding Optical Coatings by EOSS®** 12:10  
 Dr. Michael Vergöhl  
 Fraunhofer Institute for Surface Engineering and Thin Films IST, Braunschweig, Germany

**Lunch break** 12:40

**Simulation of Optical Thin Film Growth in PVD Processes** 13:40  
 Dr. rer. nat Marco Jupé, Dr. Holger Badorreck  
 Dr. Aimo Winkelmann  
 Laser Zentrum Hannover e.V., Hannover, Germany

**Latest Process Results from the AVIOR M-300** 14:10  
 Dr. Florian Schwarz  
 SOLAYER GmbH, Dresden, Germany

**Coffee break** 14:30

**New Trends and Developments in the Field of Optical Coatings** 15:00  
 Prof. Dr. Norbert Kaiser  
 Fraunhofer Institute for Applied Optics and Precision Engineering IOF, Jena, Germany

**Magnetron Sputtering of EUV Multilayer Optics** 15:30  
 Dr. Torsten Feigl  
 optiX fab GmbH, Jena, Germany

**SOLAYER Optics Products** 16:00  
 Andreas Rack  
 SOLAYER GmbH, Dresden, Germany

**Live Demo Session on the AVIOR M-300 at Kesselsdorf Technology Center** 16:20

**End** 16:50

### [ Registration ]

**Binding registration**  
 Please register until **November 22nd 2018** the latest

**Fax: +49 (0) 511-277-1650**  
**E-Mail: [veranstaltung@photonicnet.de](mailto:veranstaltung@photonicnet.de)**  
**Or with one click right here: [ONLINE](#)**

- I will attend the workshop  
 I will attend the machine demonstration

\_\_\_\_\_  
 Title / First Name / Last Name

\_\_\_\_\_  
 Company / Institution

\_\_\_\_\_  
 Address

\_\_\_\_\_  
 Postal Code / City

\_\_\_\_\_  
 Phone No.

\_\_\_\_\_  
 E-Mail

\_\_\_\_\_  
 Member of competence network OT

\_\_\_\_\_  
 Date / Signature

**VENUE:**  
 Quality Hotel Dresden West  
 Zschoner Ring 6, 01723 Kesselsdorf

**PARTICIPATION FEE** (plus VAT 19%):

190,00 € per person  
 140,00 € per person for members of competence network OT

#### DATA PROTECTION:

I agree that my name and my business address will be included in the list of participants and will be stored electronically in order to organise the workshop. Your data will be used only by us to inform you about similar offers. If you do not want us to use your data for advertising purposes, you can always object to us.